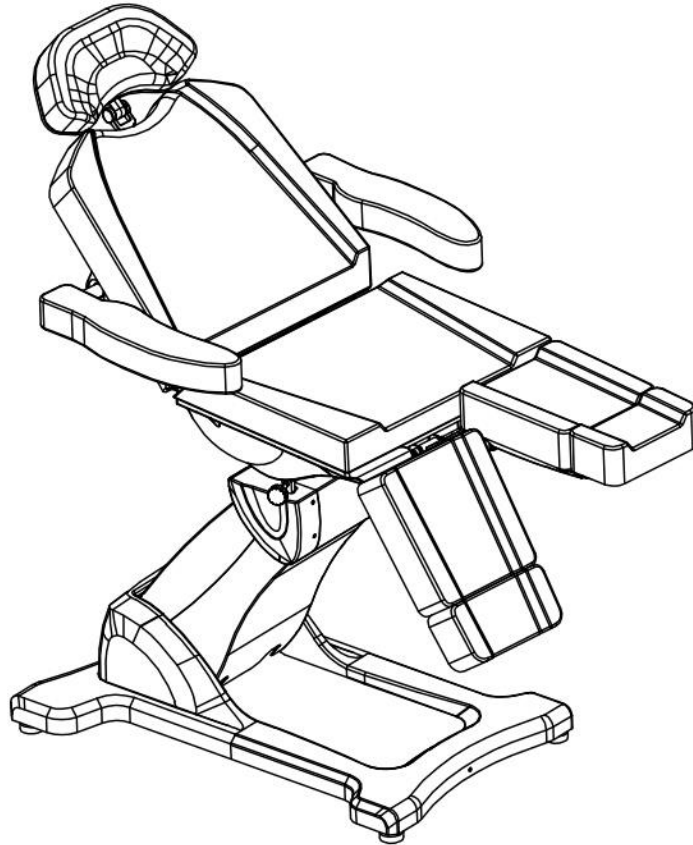
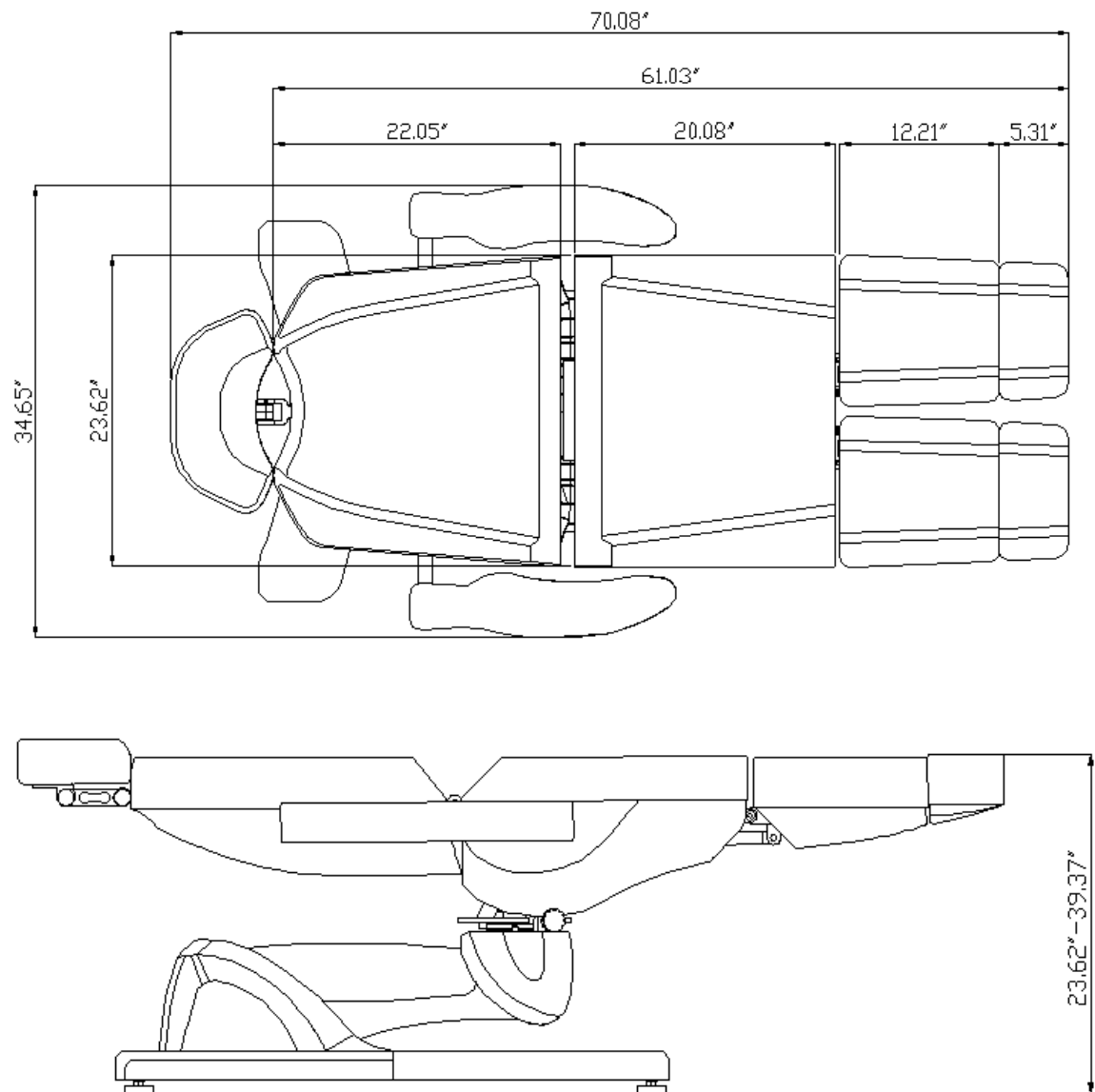


The user manual of HZ-3869AS



Specification



Dimension: 70.08"X34.65"X23.62"

Minimum Height: 23.62"

Maximum Height: 39.37"

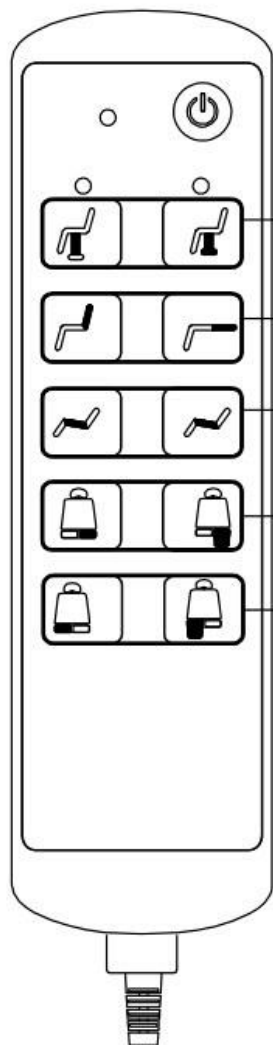
N.W.: 86kg

Max load capacity: 150kg (normal use)

Input voltage: AC 220V/50HZ

Output Voltage: DC 24V

Remote

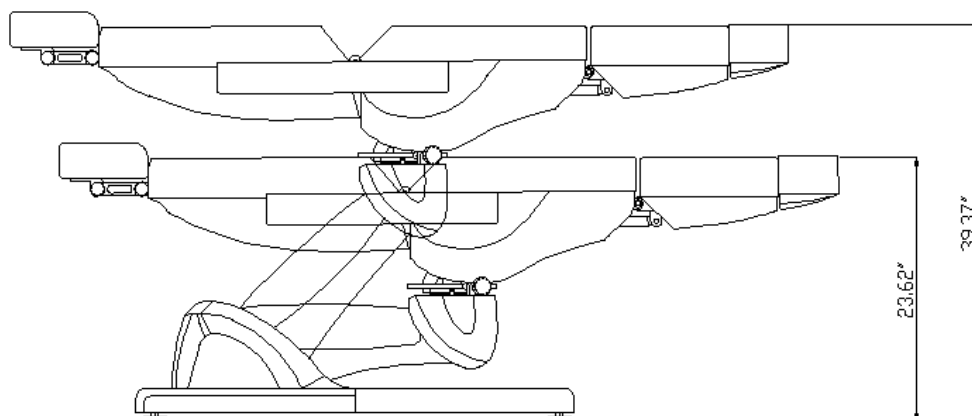


- ① The whole bed can be inclined up and down by pressing these buttons
- ② The inclined angle of the backrest can be adjusted up and down by pressing these buttons
- ③ The inclined angle of the bottom seat can be adjusted up and down by pressing these buttons.
- ④ The left leg can be controlled up and down by pressing these buttons.
- ⑤ The right leg can be controlled up and down by pressing these buttons

The instruction

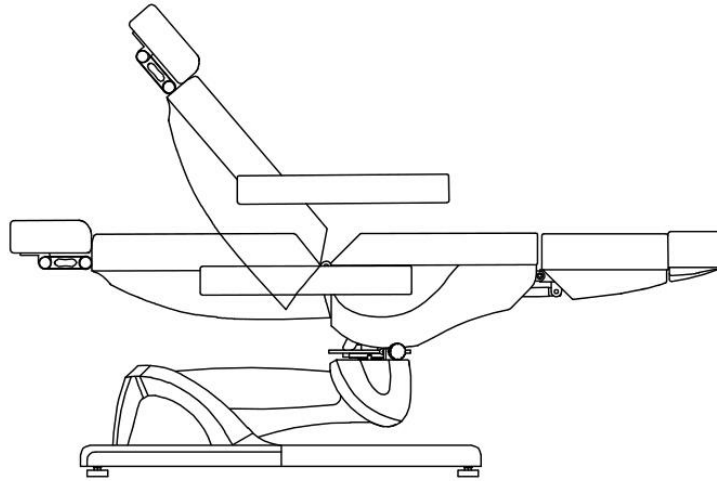
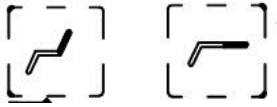
(1) The height adjustment

The whole bed can be inclined up and down by pressing these buttons:



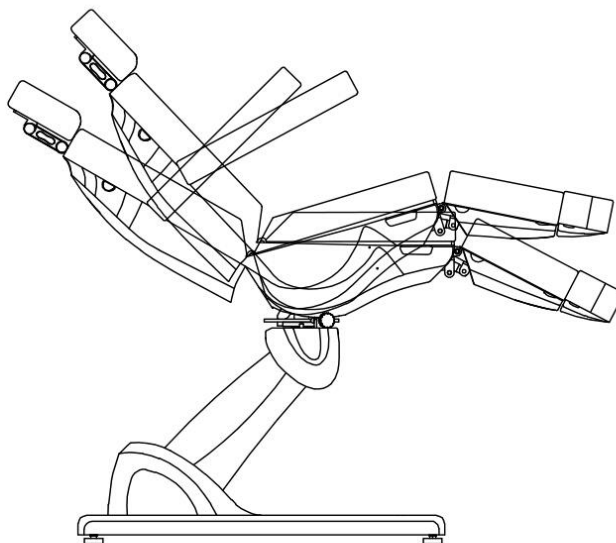
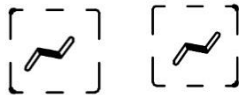
(2) The backrest adjustment

The inclined angle of the backrest can be adjusted up and down by pressing these buttons:



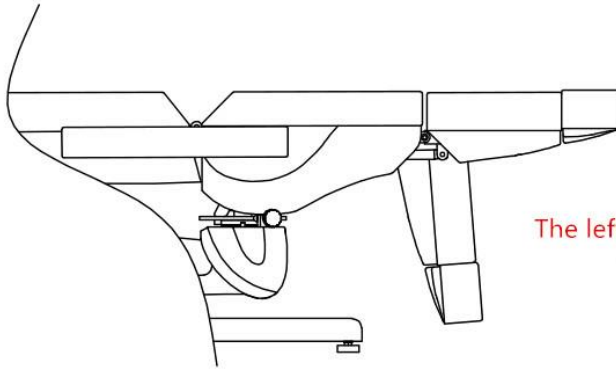
(3) The bottom seat adjustment

The inclined angle of the bottom seat can be adjusted up and down by pressing these buttons:

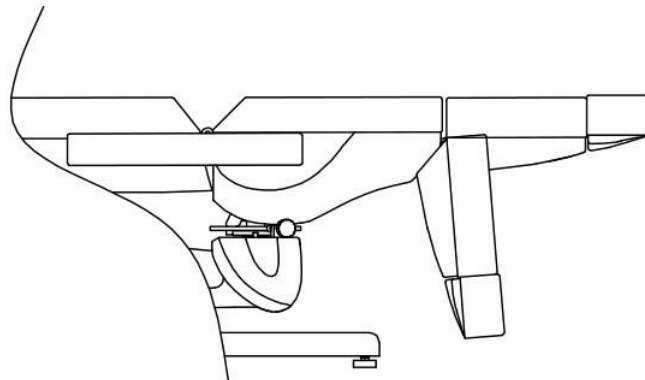


(4) The footrest adjustment

The footrest can be controlled up and down by pressing these buttons:



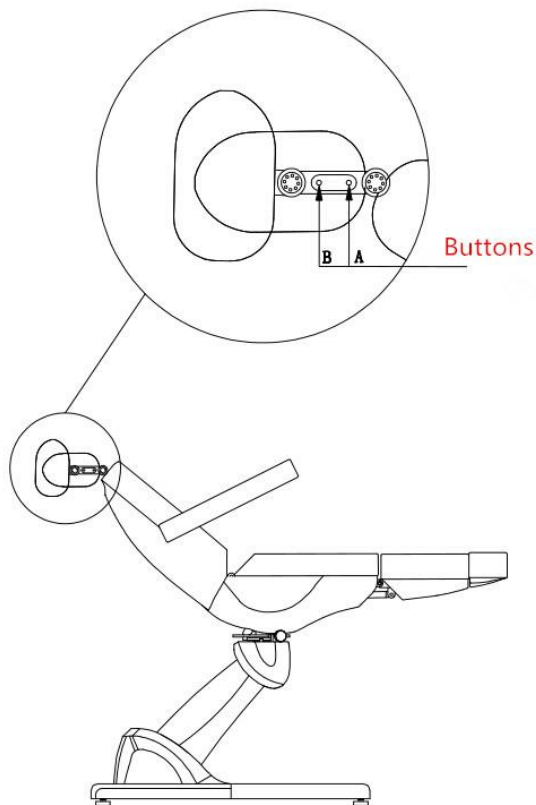
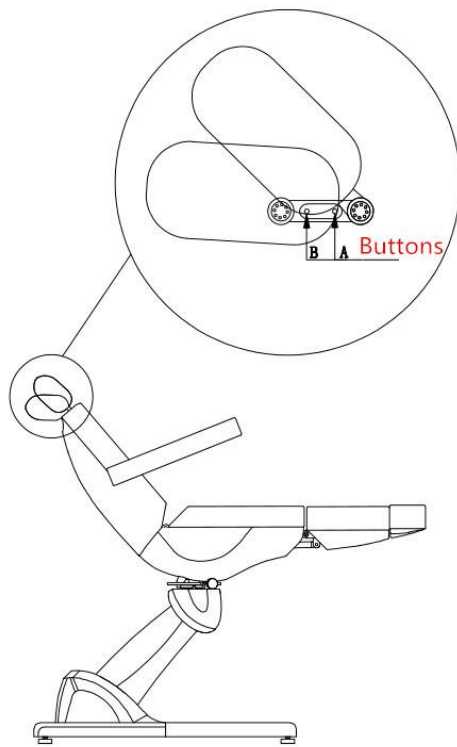
The left footrest adjustment



The right footrest adjustment

(5) The pillow adjustment

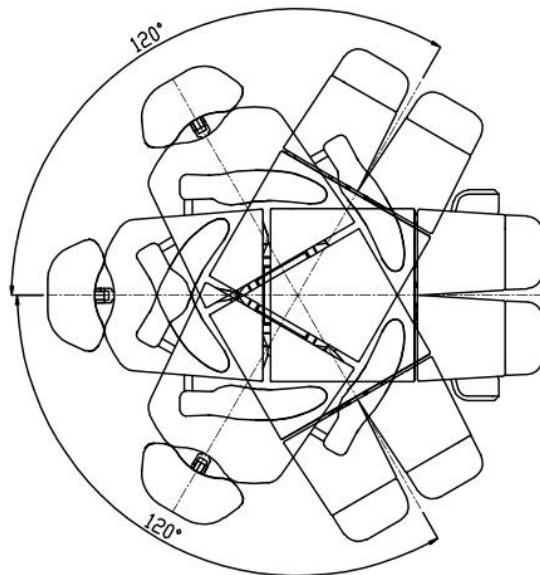
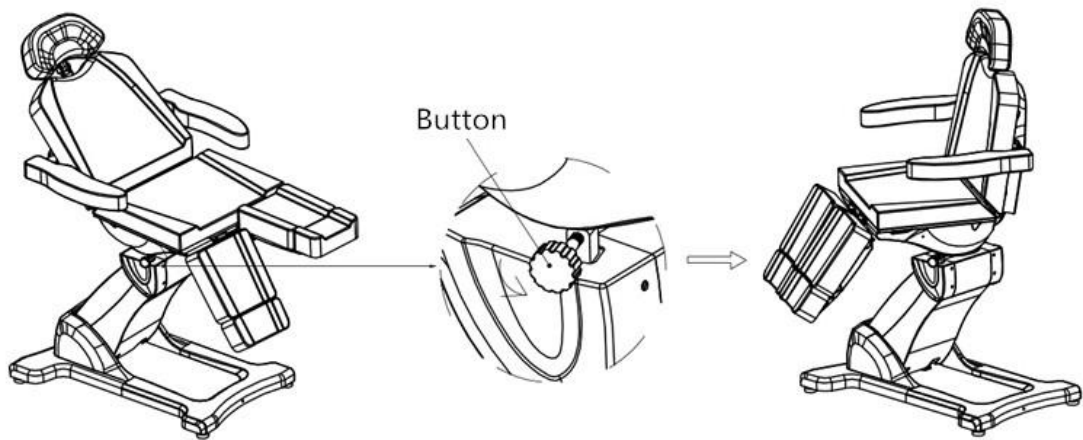
The inclined angle of the whole pillow can be adjusted if you press the button A. And theretroflexion of the pillow can be adjusted individually if you press the button B.



(6) The rotation function

This beauty bed has a rotation function. First, you should rotate the button as the way the

arrow shows you in the picture, and then you should move the surface of the beauty bed. When the beauty bed is rotated to $\pm 120^\circ$, no matter it is left side or right side, these two angles can be fixed because of the designed card slots at the inner turntable.



Maintenance

1. Daily cleaning

You can wipe out the dust by using soft dry towel.

2. Eliminating the stubborn dirt

As we all know, it is hard to eliminate the stubborn dirt by using normal dry towel. In this case, you can use soft towel with diluted neutral detergent to clean it first. And then you can use dry towel to scrub.

3. It's prohibited to use benzene, diluent, gasoline or other solvent.

These solvents may damage the leather or it may cause the corrosion of the products' appearance.

4. Storage and operating environment

Don't put the product under the strong sunlight and moisture environment. Otherwise it may cause the damages of the product.

5. It is allowed to use this product under the temperature from -5°C to 50°C and the humidity from 45% to 85%.

Fault diagnosis

If there is something wrong when you use the product, please try to check and eliminate the wrong operation as followings.

Phenomenon	Diagnosis	Operation of elimination
Press the button on the remote but without any responses.	<ol style="list-style-type: none"> 1.The function of control button has reached to maximum. 2. To check if the power plug is connected. 3.To check if each connecting plug of the transformer is connected. 	<ol style="list-style-type: none"> 1.Try to press other control button. 2.Disconnect the power plug and connect it again. 3. Disclose the chassis. Discharge the plug and connect it again.
Letting out noises and shaking while going up and down	Screw loosen	Tighten all the screws

Remarks: It will be not informed if the improvements of the product do not influence appearance and function.